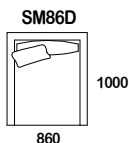


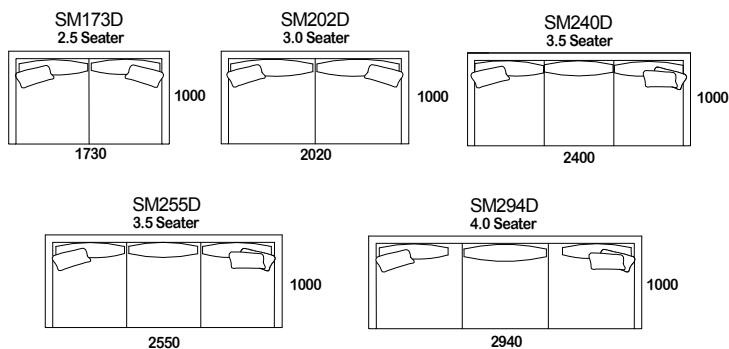
smyth deep.



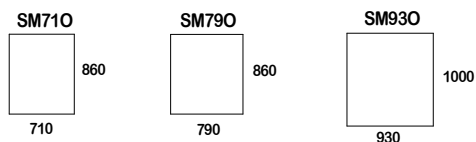
ARMCHAIR



SOFA



OTTOMAN



suitable for models:

SM86D

SM173D/SM240D/SM255D

SM202D/SM294D

SPECIFICATION

Structure// Solid hardwood w/ sprung base
 Seat cushions// High density foam w/ Feather & Fibre wrap
 Back Cushions// Feather & Fibre
 Scatters// Feather & Fibre
 Legs// Solid Oak

STAIN/UPHOLSTERY/FINISH

Upholstered in fabric or leather// Selection of timber stains// Contrast piping or cushion(s)// Available in 840Dmm model

Australian Designed & Made.